

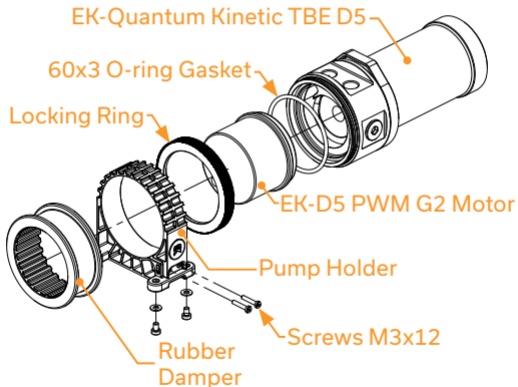
# **EK-Quantum Kinetic TBE D5 PWM**

PUMP & RESERVOIR COMBO



INSTALLATION MANUAL

## ASSEMBLING THE PUMP (already done by EK)



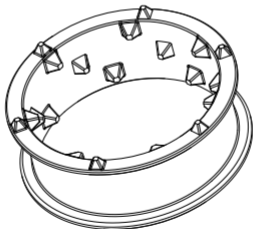
## **STEP 1**

Install the EK-Quantum Kinetic TBE D5 onto the EK-D5 PWM G2 Motor. Make sure you install the provided 60x3 O-ring gasket. Reseat the gasket if needed. You can rotate the EK-D5 PWM G2 Motor if required.

## **STEP 2**

Secure the EK-D5 PWM G2 Motor on the EK-Quantum Kinetic TBE D5 using enclosed Locking Ring.

## ALTERNATIVE DAMPER

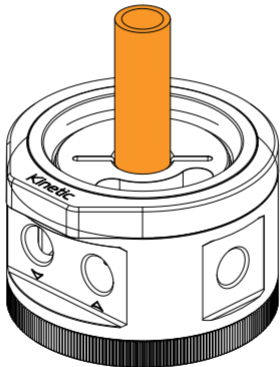


STEP 1

## **STEP 1**

An alternative soft rubber damper is included. If excessive pump vibrations are transmitted through the mounting assembly then this can be used to reduce them further. When replacing the damper, take care that the pyramids face upwards as shown. Use of the soft damper is only recommended when the unit is installed vertically.

## USING EK-HD TUBE



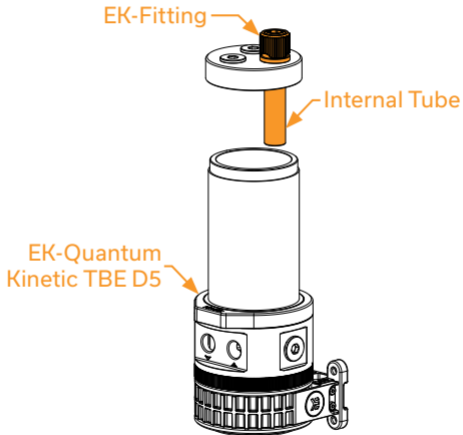
STEP 1

EK-Quantum Kinetic TBE D5 reservoir comes pre-installed with a flat anticyclone. If your system suffers from air bleeding problems, if the pump is circulating air or there is excessive vortexing you may replace the anticyclone with the enclosed EK-HD Tube.

### **STEP 1**

Insert enclosed O-ring 16x2 into the groove inside center hole and insert enclosed EK-HD Tube.

## USING TOP PORT AS INLET





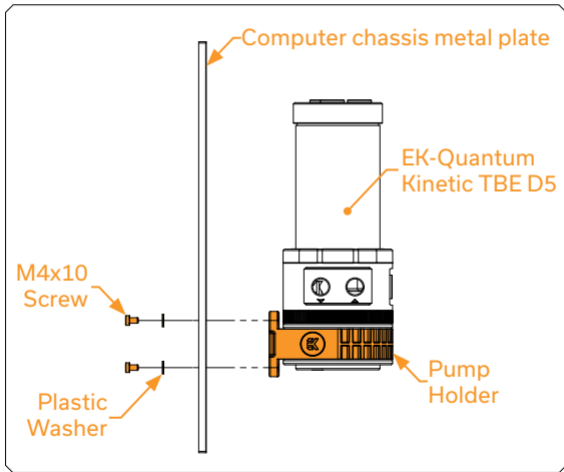
The internal tube, which is enclosed in a mounting kit, can be used for fluid intake into the reservoir. Make sure that the sealing gasket on the internal tube is placed correctly.

**IMPORTANT:**

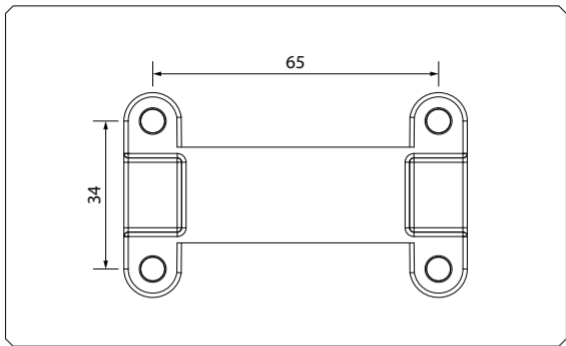
Fittings must be placed on the Top port before installing the Internal tube. In other case, you can damage the Top!

Make sure do not use Fittings with G1/4 thread longer than 5mm! All EK-Fittings are compatible!

## INSTALLING THE RESERVOIR



By default the EK-Quantum Kinetic TBE D5 ships with a pump holder that can be installed directly to the computer chassis. If there are no appropriate mounting holes available: user may need to drill 4 (four)  $\Phi 5$  mm holes through the metal chassis using an electric power drill. Included is a sticker which can be used to mark the hole centers accurately.



EK recommends users to find an appropriate position in your computer chassis to install the EK-Quantum Kinetic TBE D5 assembly. It can be mounted in any orientation except with the pump at the top. To successfully install the EK- Quantum Kinetic D5 pump/reservoir assembly please complete the following steps:

## **STEP 1**

Find an appropriate position for the unit inside (or perhaps outside) of your computer chassis; drill mounting holes if needed. Sticker with designated hole positions is enclosed. Before drilling stick it to the Computer chassis.

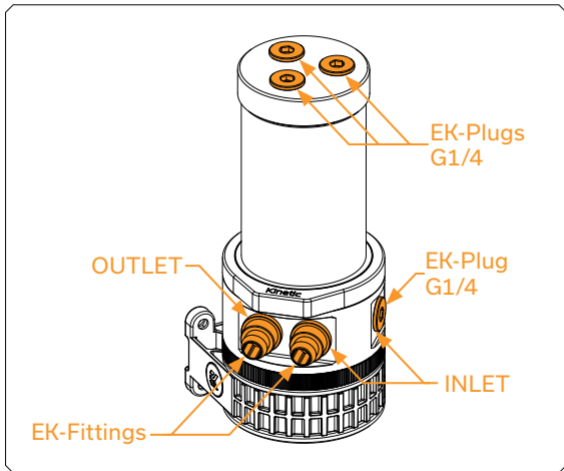
## **STEP 2**

Attach the pump holder to the computer chassis using enclosed 4 (four) M4x10 DIN7984 screws and PVC washers. Secure the screws using enclosed 2.5mm Allen key.

## **STEP 3**

Insert the rubber damper into the pump holder. Insert the EK-D5 PWM G2 Motor with attached reservoir into the damper. Secure it using two M3x12 DIN7984 screws from the side of the holder with enclosed 2mm Allen key. Your installation is now complete.

## ATTACHING FITTINGS



EKWB recommends using EK-Quantum Torque fittings with the EK-Quantum Kinetic TBE D5 PWM series reservoir pump combo units. If you use barbs ensure that the tubes are securely attached using hose clamps or an appropriate substitute.

All unused ports should be blocked using the enclosed G1/4 Plugs and 6mm Allen key.

### **CAUTION**

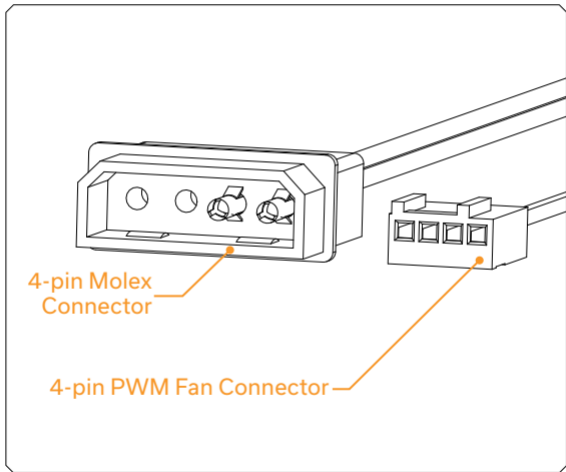
The INLET port(s) (suction port) is the port with G1/4 threading plane.

OUTLET port must be placed always on the marked place.

Make sure not to use Fittings or barbs with G1/4 thread longer than 5mm! All EK Fittings are compatible!

Ports on the top of the reservoir should only be used as Inlet ports with the enclosed Internal tube (as shown on pages 8 and 9).

## CONNECTING THE PUMP

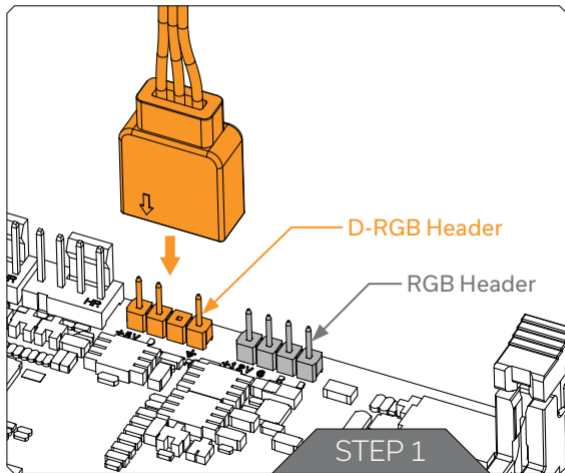




The EK-D5 PWM pump has two connectors.

- 1. 4-pin Molex:** It must be connected directly to your PSU at all times as it is used to power the pump.
- 2. 4-pin PWM fan:** It can be connected to your motherboard's CPU\_Fan or designated water pump header. It can also be connected to a controller. This cable is used to control and report the rotational speed of the pump. If it's not connected, the pump will run at maximum speed (100% PWM).

## CONNECTING THE D-RGB LED



## **STEP 1**

Plug the 3-pin connector from Water block's D-RGB LED light to the DRGB HEADER on the motherboard. The LED will work if the pin layout on the header is as follows: +5V, Digital, empty, Ground.



Please ensure that the arrow indicated on the connector is the plugged into the +5V line as indicated on your motherboard.

Failure to do so will damage your motherboard or the LED strip.

## TESTING THE LOOP

To make sure the installation of EK components was successful, we recommend you perform a leak test for 24 hours.

When your loop is complete and filled with coolant, connect the pump to a PSU outside of your system. Do not connect power to any of the other components. Turn on the PSU and let the pump run continuously. It is normal for the coolant level to drop during this process as air collects in the reservoir.

Inspect all parts of the loop, and in the eventuality that coolant leaks, fix the issue and repeat the testing process. Ensure that all hardware is dry before the system is powered on in order to prevent any damage.







## SUPPORT AND SERVICE

For assistance please contact:

**<http://support.ekwb.com/>**

EKWB d.o.o.  
Pod lipami 18  
1218 Komenda  
Slovenia - EU

## SOCIAL MEDIA



EKWaterBlocks



@EKWaterBlocks



ekwaterblocks



EKWBofficial



ekwaterblocks

