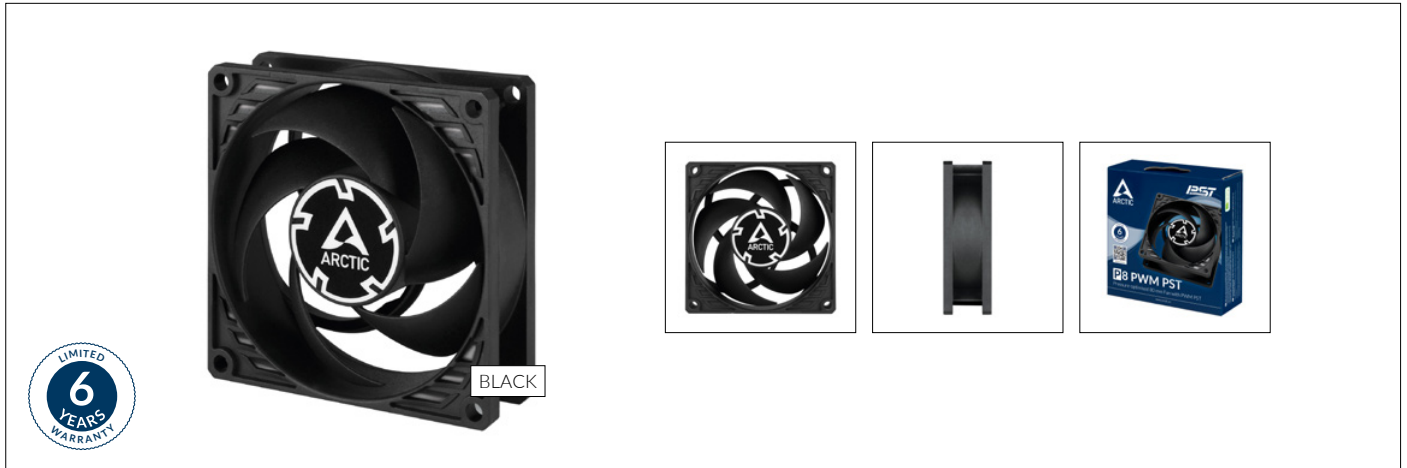


P8 PWM PST

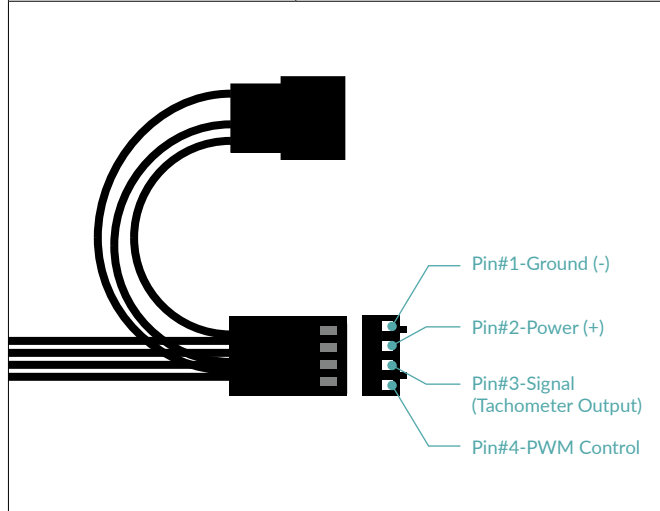


80 mm PWM PST Case Fan



Fan Specifications

Dimensions	80 (L) x 80 (W) x 25 (H) mm
Weight	81 g
Speed	200–3000 rpm, 0 rpm <5% PWM
rpm Control	Pulsweitenmodulation – PWM
Static Pressure	1.9 mmH ₂ O
Airflow	23.4 cfm 39.76 m ³ /h
Bearing	Fluid Dynamic Bearing
Cable Length	400 mm
Connector	4-Pin Connector + 4-Pin Socket
Current Voltage	0.09 A 12 V DC
Starting Voltage	3.4 V DC
Noise Level	0.3 Sone
Ambient Operating Temperature	0–40 °C



Shipping Information Single Fan – Black

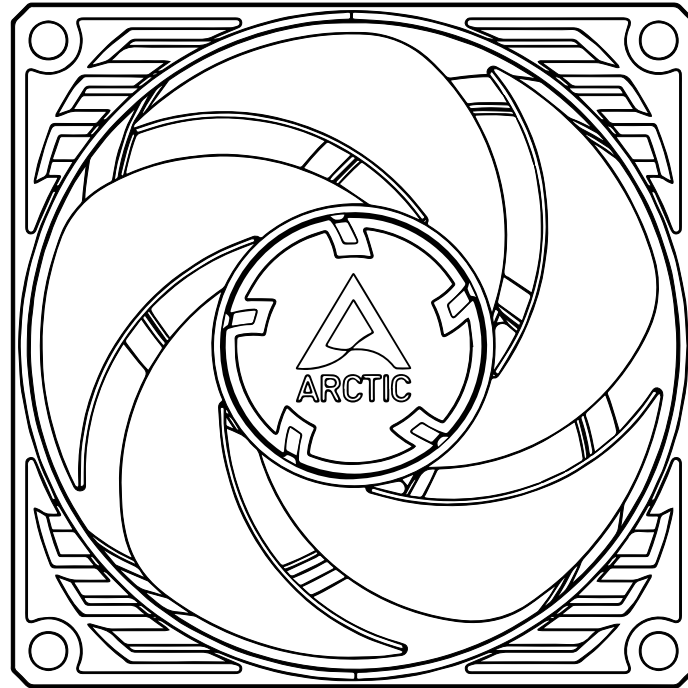
Dimensions	82,5 (L) x 82,5 (W) x 26 (H) mm
Weight	100 g
SKU	ACFAN00150A
EAN	4895213702034
UPC	872767009929
Package Content	P8 PWM PST x1 Mounting Screws x4

Shipping Information Pack of 5 Value Pack – Black

Dimensions	127 (L) x 89 (W) x 86 (H) mm
Weight	460 g
SKU	ACFAN00154A
EAN	4895213702072
UPC	872767009967
Package Content	P8 PWM PST x5 Mounting Screws x20

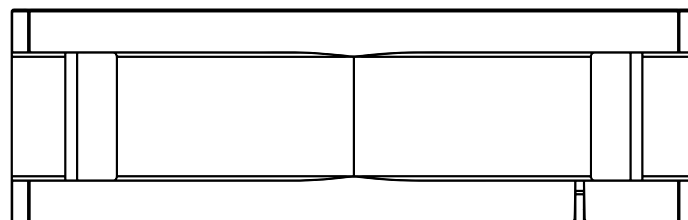
P8 PWM PST

80 mm PWM PST Case Fan



80 mm

80 mm



25 mm



All materials are compatible with RoHS requirements.

MORE INFORMATION



MANUALS

