

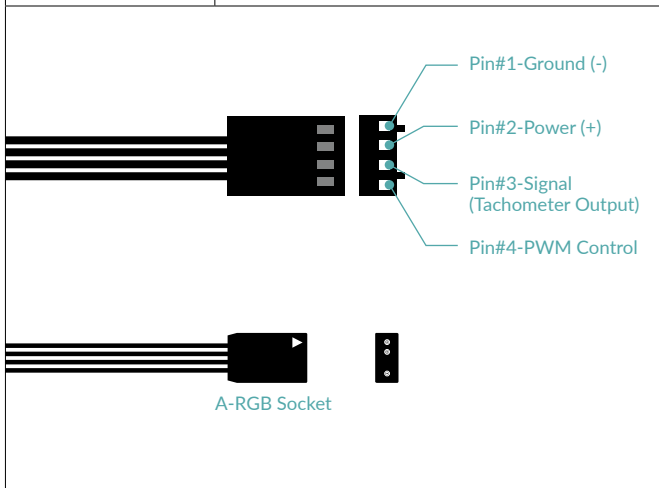
Liquid Freezer II 280 A-RGB

Multi Compatible All-in-One CPU Water Cooler with A-RGB



General Specifications

Compatibility	Intel® 1700, 1200, 115X, 2011-3*, 2066* *Square ILM AMD® AM5, AM4, AM3(+)
TIM	MX-5 (0.8 g)
Weight	1600 g (2 Fans, Radiator, Pump, Tubes)
Warranty	6 years
Connector	Fan: 4-Pin PWM Connector LEDs: 3-Pin 5V-DI-Gnd Connector



Pump/Cold Plate Specifications

VRM Fan	40 mm, 1000–3000 rpm (Controlled by PWM)
Pump	800–2000 rpm (Controlled by PWM)
Power Consumption	0.5 W–2.7 W Pump and VRM Fan
Tube Length	450 mm
Tube Diameter	Outer: 12.4 mm Inner: 6.0 mm
Dimensions	78 (L) x 53 (W) x 98 (H) mm

Fan Specifications

Speed	200–1900 rpm
Airflow	68.9 cfm 117.06 m ³ /h
Static Pressure	2 mmH ₂ O
Noise Level	0.3 Sone
Fan Dimensions	140 (L) x 140 (W) x 27 (H) mm
Speed Control	Pulse Width Modulation
Connector	4-Pin Connector cable with Y-Splitter
Bearing	Fluid Dynamic Bearing
Current Voltage	0.17 A 12 V
RGB Specifications	
LEDs	12 A-RGB LEDs
Connector	3 Pin 5V-D-GND cable with sharing splitter
Current Voltage	0.4 A 5 V

Radiator Specifications

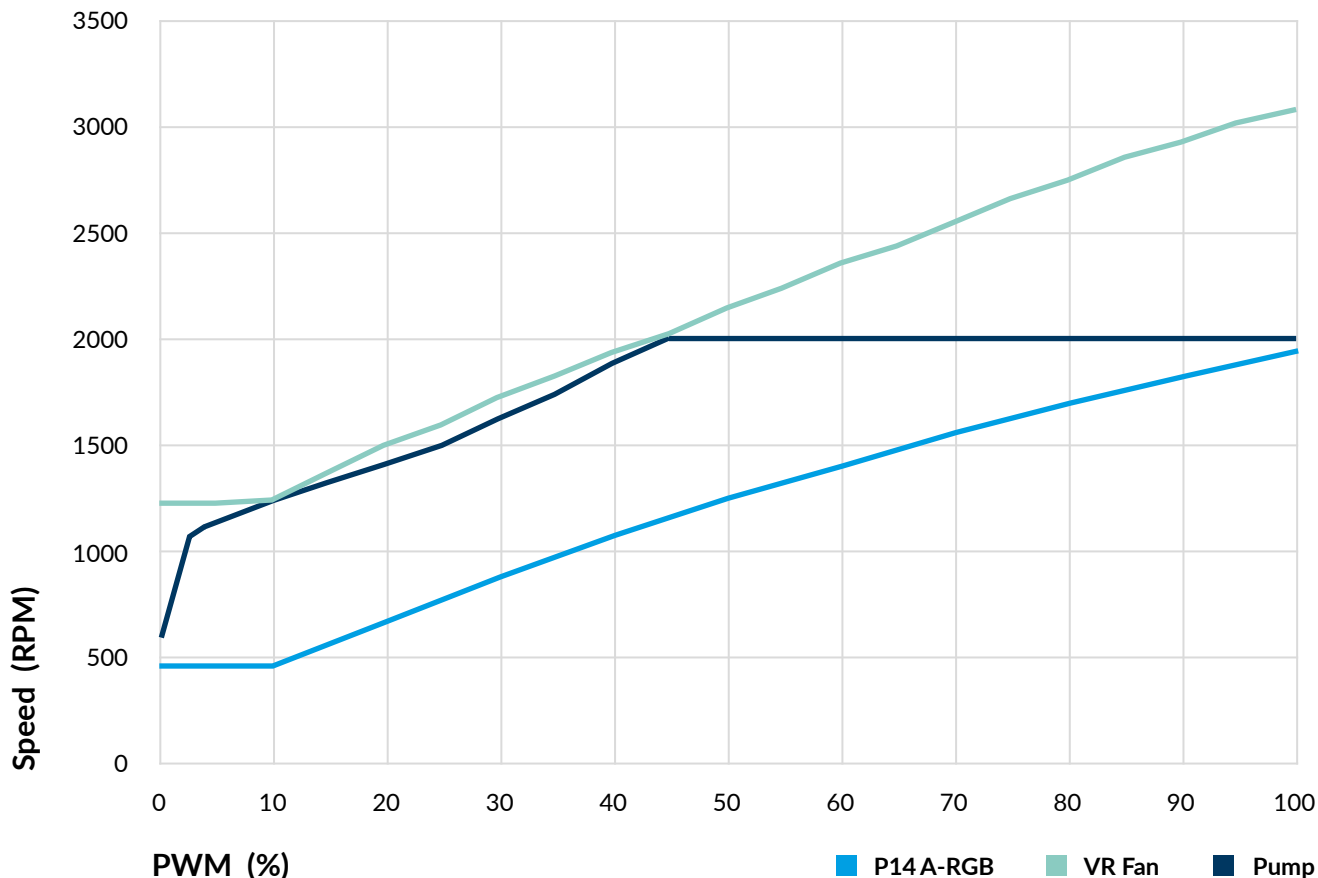
Material	Aluminum
Dimensions	317 (L) x 38 (W) x 138 (H) mm

Shipping Information

Box Dimension	335 (L) x 155 (W) x 170 (H) mm
Gross Weight	2117 g
SKU	ACFRE00106A
EAN	4895213703383
UPC	840033401197

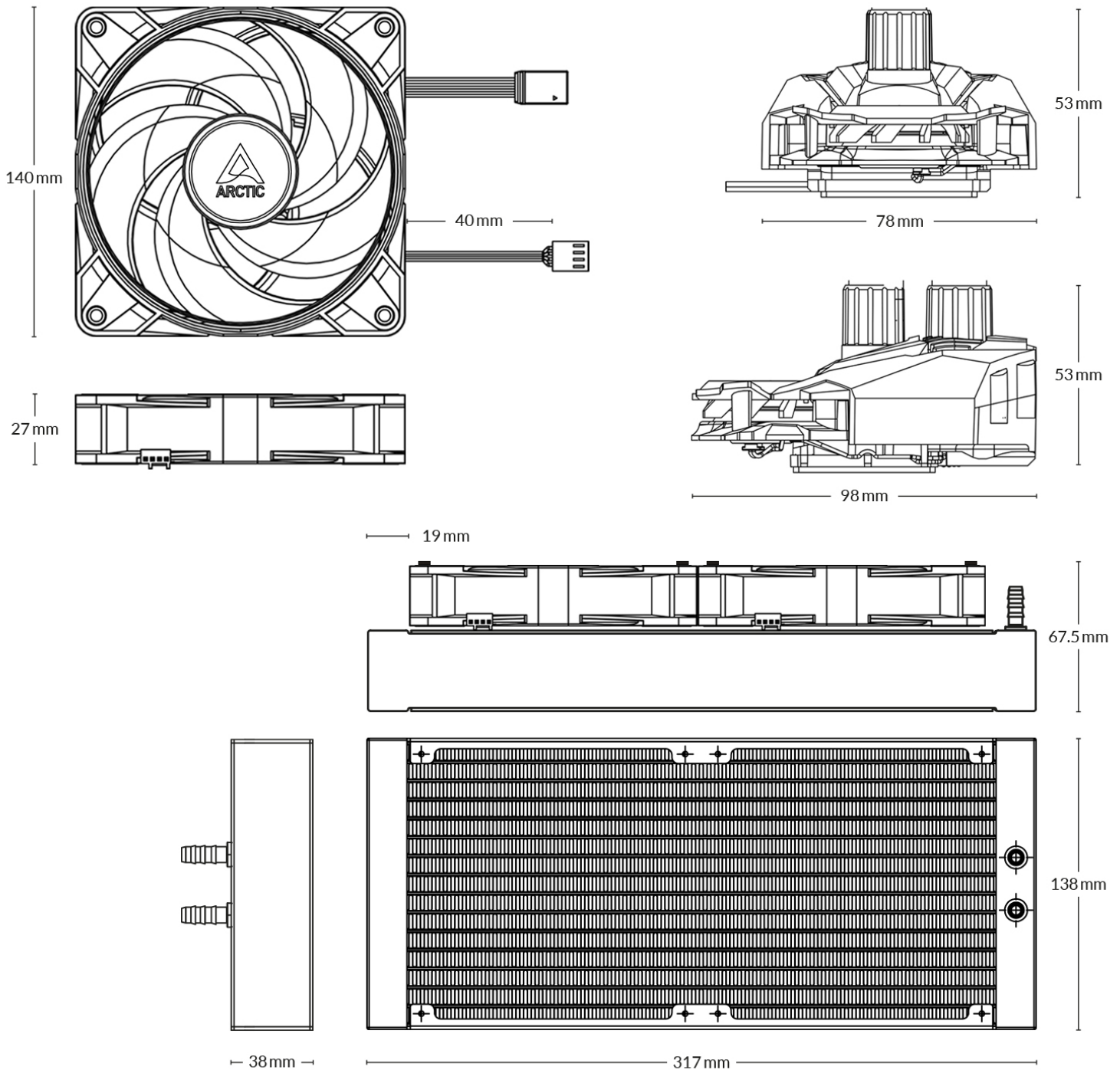
Liquid Freezer II 280 A-RGB

Multi Compatible All-in-One CPU Water Cooler with A-RGB



Liquid Freezer II 280 A-RGB

Multi Compatible All-in-One CPU Water Cooler with A-RGB



All materials are compatible with RoHS requirements.

MORE INFORMATION



MANUALS

