

Alphacool Core Hurrican 360mm XT45 HardTube water cooling Set

Alphacool article number: 11993

Download Center



Quick Info

With the Core Hurrican HardTube water cooling kit, Alphacool provides all the components needed to get started in the world of water cooling. The set is aimed not only at beginners, but also at enthusiasts. The selected components are optimally matched and come from Alphacool's DIY program. The choice of materials is still uncompromisingly based on copper or brass for all metals in order to guarantee performance-oriented CPU cooling.

- Water cooling set for starters & enthusiasts
- Performance-oriented water cooling with digital aRGB illumination
- Optimally matched components from Alphacool's DIY range

Compatibility

Intel: 775 / 1056 / 1155 / 1150 / 1151 / 1200 / 1700 / 2011 / 2011-3 / 2066

AMD: AM2 / AM2+ / AM3 / AM3+ / FM1 / FM2 / FM2+ / AM4 / AM5

Scope of delivery

1x Eisblock XPX Aurora Edge CPU Cooler	1x NexXoS XT45 Full Copper 360mm Radiator V.2
6x Fitting Eiszapfen Pro 16mm G1/4"	3x Rise Aurora 120mm Fan (120x120x25mm)
2x Fitting Eiszapfen L - Connector G1/4"	1x HardTube Eisrohr 16/13mm PETG 60cm - 4pcs
1x Eisbecher Aurora D5 Acetal/Glas - 250mm	1x Pit saw
1x VPP Apex pump	1x Tubing Pipe Reamer
1x aRGB Controller Aurora Eiscontrol	1x Double Bending Tool
2x Digital RGB LED Y-splitter 3-times cable	1x Silicon Bending Insert 100cm
1x PWM to 3x PWM connector cable	1x Liquid Clear 1000ml
1x ATX 24-pin jumper plug	1x Filling bottle

Technical data CPU cooler

Dimensions (L x W x H)	70 x 70 x 32,5mm
Material cooler	nickel-plated copper
Material housing	brass, acrylic
Threads	2 x G1/4"
Illumination	3-Pin 5V, 15 digital aRGB LEDs
Max working temperature	60°C
Pressure tested	0,8 Bar

Technical data reservoir

Dimensions (L x W x H)	77 x 77 x 242mm
Capacity	250ml
Material housing	Acetal
Material tube	Glass
Material framing bar	Aluminium
Threads	1x G1/4" IT IN 4x G1/4" IT OUT
Illumination	5V digital addressable LED's (0,3A)
Max working temperature	60°C
Pressure tested	0,8 Bar

Technical data pump

Dimensions (L x W x H)	65 x 65 x 41mm
Material	synthetic material, aluminium, ceramics
Threads	4Pin PWM SATA
Rotational speed	2500 - 4500 RPM
Operating voltage	8-13V DC / 14W IP32
Starting voltage	12V DC
Maximum pumping head	4,25m
Maximum flow rate	340L/h
Max working temperature	60°C
Pressure tested	0,8 Bar

Technical data radiator

Dimensions (L x W x H)	391,5 x 124 x 45mm (+/- 3%)
Material cooling fins, pre-chambers & channels	copper
Material threads	brass
Material outer housing	stainless steel
Threads	4x G1/4" IN/OUT & 1x Fill-/Drainport G1/4"
Possible fan size	120mm
Possible fan assembly	3x one-sided / 6x both-sided
Fin density	12
Max working temperature	60°C
Pressure tested	0,8 Bar

Technical data fan

Dimensions (L x W x H)	120 x 120 x 25mm
Speed	0-2500 rpm (+/-10%)
Threads	4-Pin PWM
Voltage	12V DC
Current consumption	0,65A (0.72A max)
Static pressure	3,17 mm/H2O
Max. air flow	118,9 m ³ /h
Noise	max. 31,5 dB(A)
Speedometer signal	yes
Auto-Restart	yes
Illumination	3-Pin 5V, 20 digital aRGB LEDs

Technical data tube

Dimensions (outer/inner)	16/13mm
Material	PETG
Length	4x 60cm
Color	clear

Technical data 16/13mm G1/4" fittings

Material	brass
Threads	1x G1/4" OT
Color	black

Technical data coolant

Ingredients	osmose water(93,8%), glysofor L (4,2%), RHOBA KLA (2%)
Boiling point	105°C
Freezing point	-10°C
Packaging unit	1L bottle
Color	clear (not UV-active)

Technical thermal grease

Viscosity (mPa. s)	3.000.000
Specific Gravity (g/cm³)	2,7
Thermal Conductivity (w/m-K)	16
Temperature Stability (Degree Celcius)	-50 ~ 200
Color	gray

Download links

Manual	11993_Alphacool_Core_Hurricane_360mm_XT45_HardTube_water_cooling_Set_Manual.pdf
Safety data sheets	11993_Alphacool_Core_Hurricane_360mm_XT45_HardTube_water_cooling_Set_SDS(1).pdf
	11993_Alphacool_Core_Hurricane_360mm_XT45_HardTube_water_cooling_Set_SDS(2).pdf
Product pictures	11993_Alphacool_Core_Hurricane_360mm_XT45_HardTube_water_cooling_Set_pics.zip

Packaging dimensions per unit

L x W x H	615 x 145 x 320 mm
Weight	7260 g

Other data

Certificates	CE, FC, RoHS
EAN	4250197119931
Customs code	84195080900

With the Core Hurrican HardTube water cooling kit, Alphacool provides all the components needed to get started in the world of water cooling. The set is aimed not only at beginners, but also at enthusiasts. The selected components are optimally matched and come from Alphacool's DIY program. The choice of materials is still uncompromisingly based on copper or brass for all metals in order to guarantee performance-oriented CPU cooling.

Eisblock XPX Aurora Edge CPU Cooler

Alphacool's Eisblock XPX Aurora Edge CPU water cooler offers the highest performance and impresses with its outstanding quality. The patented ramp system ensures optimal water flow within the cooler as water is forced evenly through the jet plate. 81 cooling fins are distributed on the CPU cooler base, occupying an area of 34 x 32mm and thus accommodating the ever-growing CPU DIEs. The Aurora design in combination with the 15 addressable digital aRGB LEDs provides many options for outstanding CPU water cooler illumination. The included mounting hardware makes the CPU cooler compatible with popular mainstream sockets from AMD and Intel.

Eisbecher Aurora D5 250mm & VPP Apex Pump

The Alphacool Eisbecher Aurora glass reservoir uses a real glass tube rather than the usual plastic tube that Alphacool usually relies on. The embedded 5V digital RGB LED ring and the new design makes the reservoir look magnificent. Of course, the Lighttower water effect is used again. The mounting can be done via feet but also mounted on 120 or 140mm fan mounts or even directly to a radiator. The Apex VPP is a powerful pump that is compatible with the most popular D5/VPP tops and reservoirs. Via the 4-pin fan connector, the speed of the pump can be read and controlled via PWM signal. The Apex VPP is supplied with power via the SATA connector.

NexXoS XT45 Full Copper 360mm Radiator V.2

All water-bearing parts and the cooling fins are made of pure copper. Thus, the NexXoS XT45 achieves the highest thermal conductivity value of all radiators on the market and can easily dissipate extremely high waste heat. The radiator has two IN or OUT connections with G1/4" threads in the pre-chamber area. On the opposite side is a fill or vent port, which can be used to fill and drain the water loop.

Rise Aurora 120mm fans

The fans can be controlled from 0 to 2500 rpm via the 4-pin PWM connector. At 800 rpm, the fan is nearly silent, but still offers good airflow (118.9 m³/h) coupled with high static pressure (3.17mm/H₂O). In addition to a wide control range, the Rise fan also offers superior digital aRGB lighting. The frame and hub feature 20 digitally addressable 5V RGB LEDs that illuminate the entire fan.

Eisrohr 16/13mm PETG HardTube

The Alphacool Eisrohr PETG HardTube give the user the possibility to create a very special look. With a wall thickness of 3 mm, the tubes are very strong, but can still be bent without great effort and they are easy to fit. The HardTubes are clear and will look great in almost every water cooling loop. When cutting the tubes, make sure to chamfer the edges with fine file or a hose deburrer, as sharp edges can damage the O-rings of fittings.

Eiszapfen 16/13mm G1/4" Connections

All the requirements for a connection are met here: Highflow, shape, machining and coloring. Special manufacturing processes firmly bond the coating to the substrate. This increases the longevity of the color and prevents the coating from flaking off.

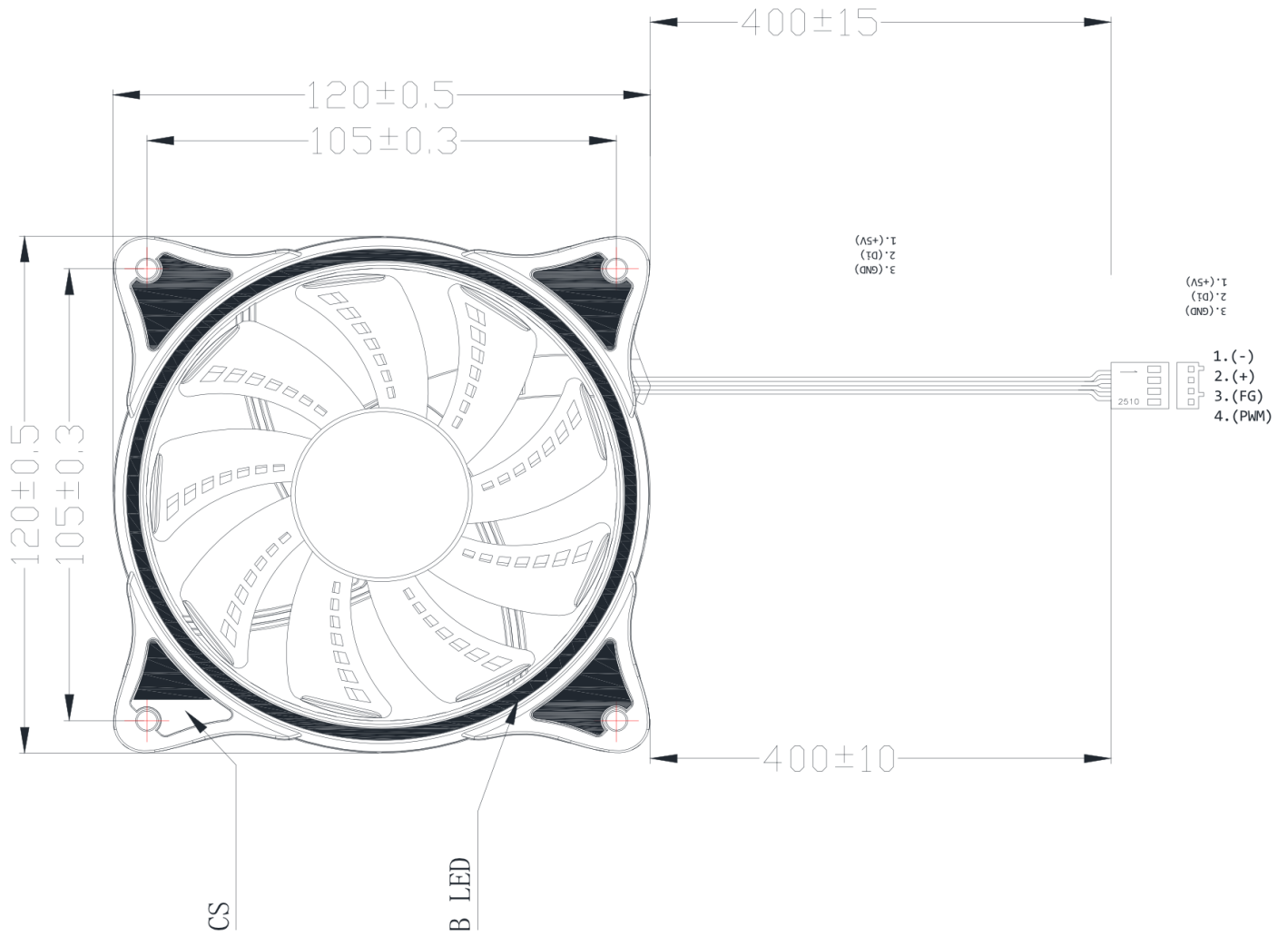
Thermal Paste & Coolant

The included thermal paste is Alphacool's Subzero with a thermal conductivity of 16 W/mk. The electrically non-conductive Thermal Grease is particularly well suited for high contact pressures, but can still be processed perfectly due to its viscosity of 850,000 TF. Tec Protect 2 Clear in the 1 liter bottle is used as the coolant. Tec Protect 2 Clear is a ready-to-use mixture that already contains all the necessary additives and can be used straight from the bottle.

aRGB Controller, Cables, Tools & Accessories

All cables (aRGB, PWM) and controllers needed to use & control the pump, fan and aRGB lighting are included. The accessory package also includes important tools like filling bottle, deburrer and pit saw. Thus, the construction of the custom loop can be started "out-of-the-box" immediately.

Drawing (1)



Drawing (2)

