

S8038-10K

80 mm Server Fan

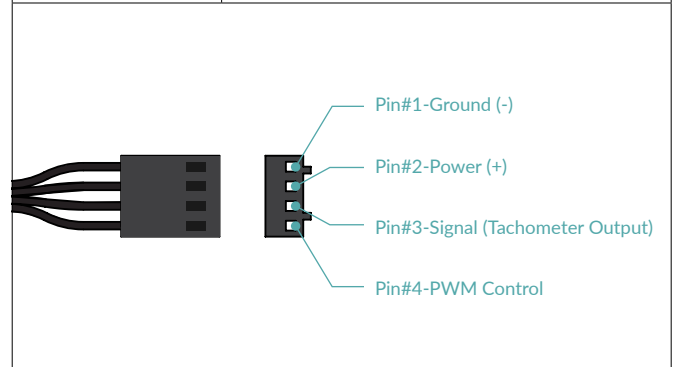


General Specifications

Dimensions	80 (L) x 80 (W) x 38 (H) mm
Weight	151 g
Flammability UL 94	V-0
Operating Ambient Temperature	-10°C~70°C
Warranty	6 Years

Fan Specifications

Speed	500-10000 rpm, PWM controlled
Static Pressure	51 mmH ₂ O
Airflow	102 cfm 173.30 m ³ /h
Bearing	Dual Ball Bearing
Cable Length	300 mm, Black
Connector	4-Pin Connector
Current Voltage	1.3 A 12.0 V DC
Start up Voltage	5.8 V DC



Shipping Information - Single Fan

Package Content	S8038-10K x1 Mounting Screws x4 Impeller Sticker x1
Box Dimensions	88 (L) x 86 (W) x 44 (H) mm
Gross Weight	170 g
SKU	ACFAN00279A
EAN	4895213703796
UPC	840033401609

Shipping Information - 4 Pack

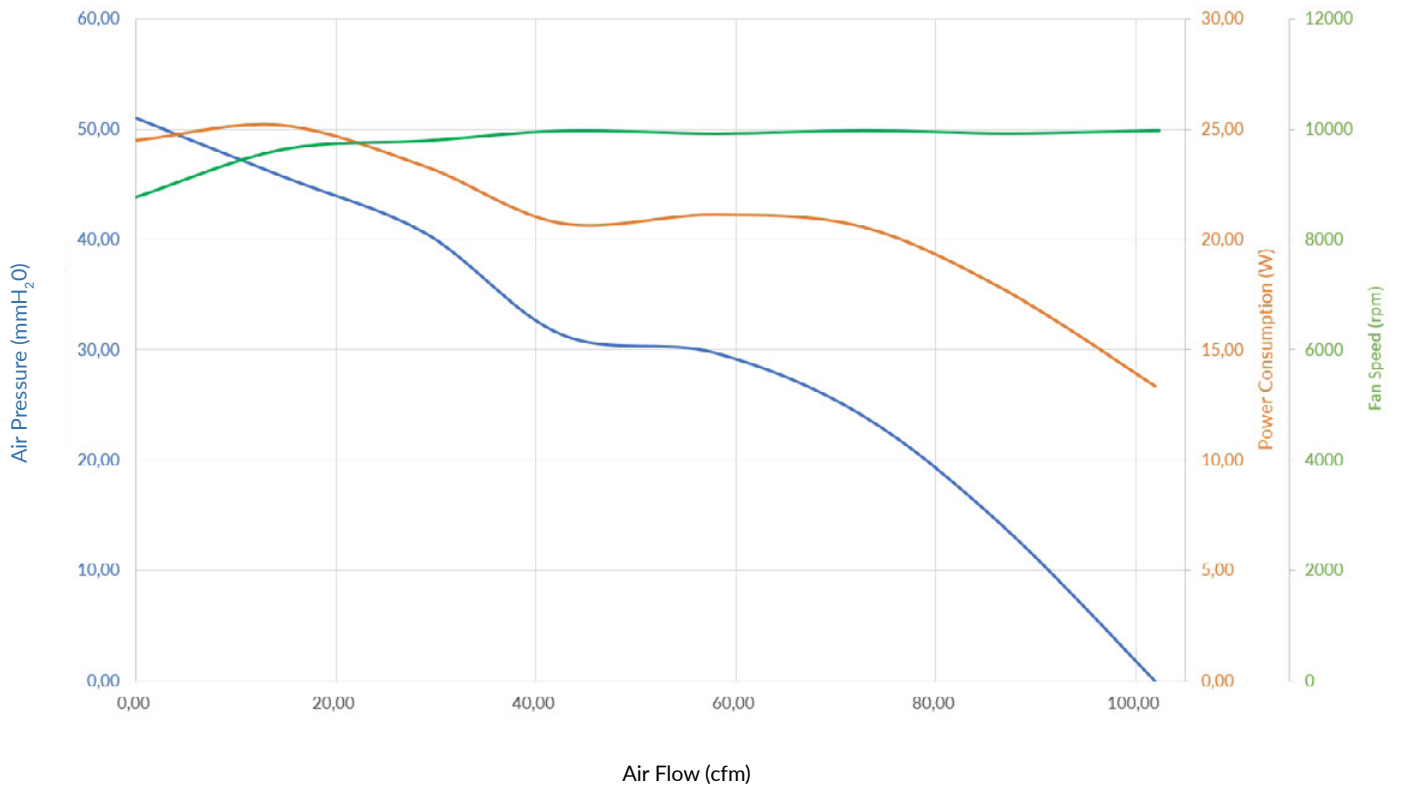
Package Content	S8038-10K x4 Mounting Screws x16 Impeller Sticker x4
Box Dimensions	185 (L) x 104 (W) x 78 (H) mm
Gross Weight	700 g
SKU	ACFAN00291A
EAN	4895213704311
UPC	840033402088

S8038-10K

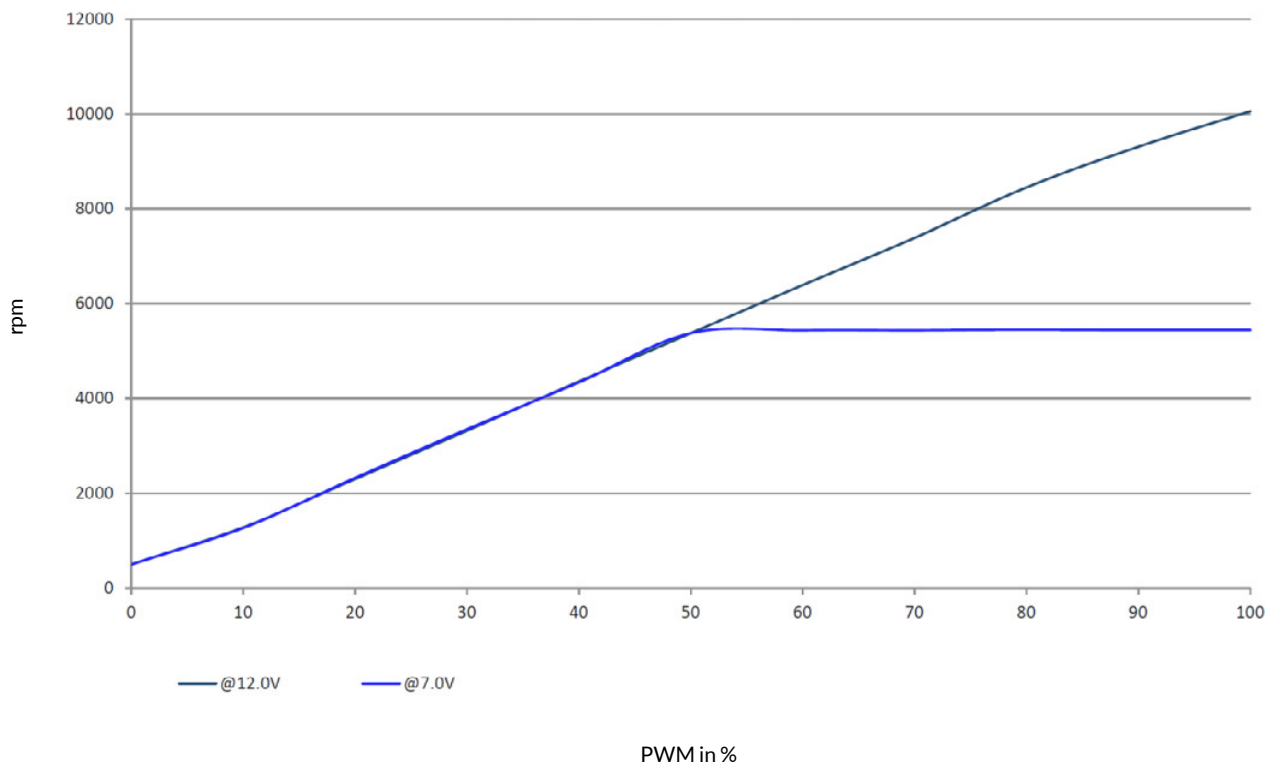
80 mm Server Fan



P/Q Curve

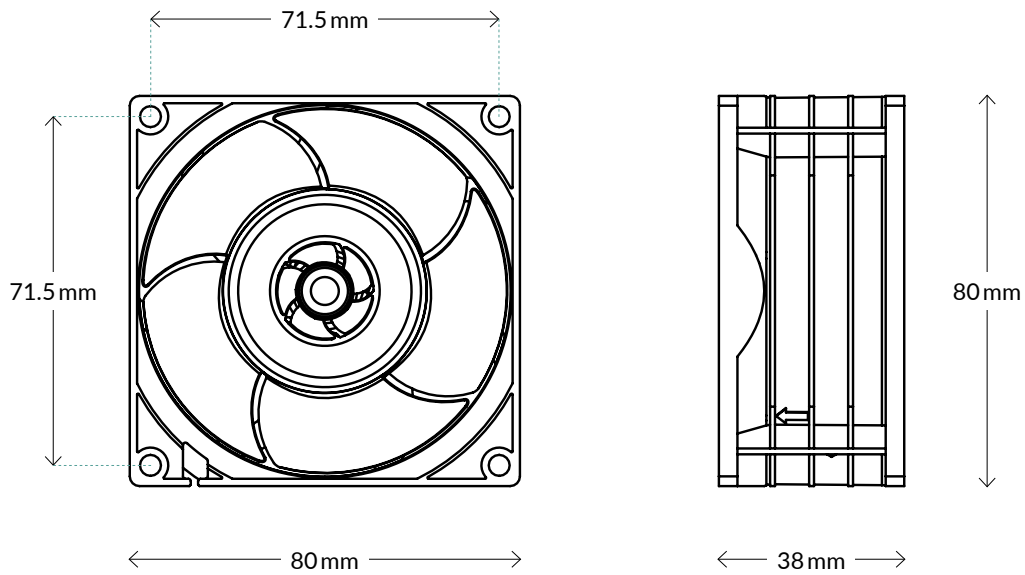
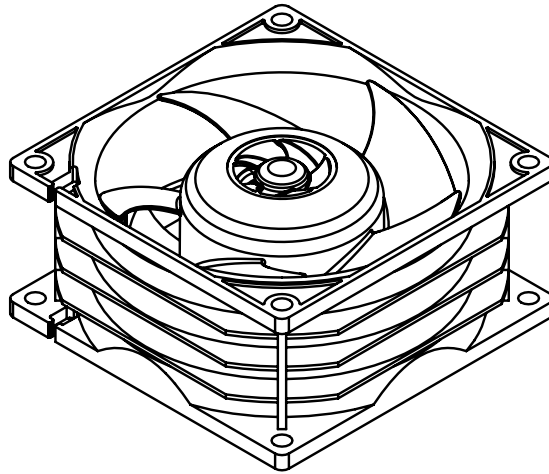


PWM to rpm Curve



S8038-10K

80 mm Server Fan



All materials are compatible with RoHS requirements.

MORE INFORMATION



MANUALS

