

P12 PWM PST RGB 0dB

BLACK



Semi-Passive 120 mm Case Fan with RGB

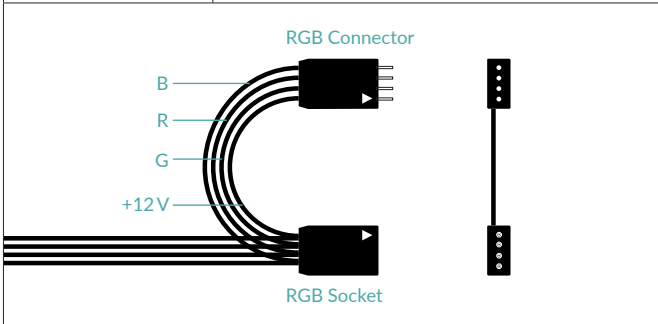


General Specifications

Dimensions	120 (L) x 120 (W) x 25 (H) mm
Weight	131 g
Package Content	P12 PWM PST RGB 0dB x1 Mounting Screws x4

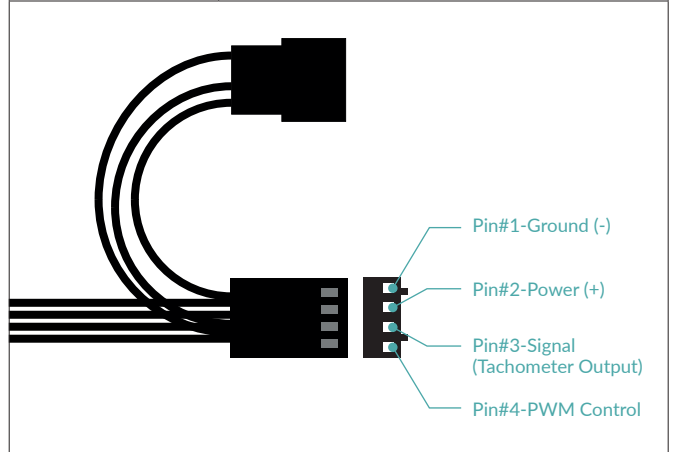
RGB Specifications

Number of LEDs	12
Cable Length	40 + 8 cm
Connector	4-Pin 12 V-G-R-B Connector + 4-Pin Socket
Current/Voltage	0.2 A/12 V



Fan Specifications

Speed	0-2000 rpm
rpm Control	Pulse Width Modulation
Static Pressure	48.8 cfm/82.91 m³/h
Airflow	1.85 mm H ₂ O
Bearing	Fluid Dynamic Bearing
Cable Length	40 + 8 cm
Connector	4-Pin Connector + 4-Pin Socket
Current/Voltage	0.11 A/12 V



Shipping Information Single Fan - Black

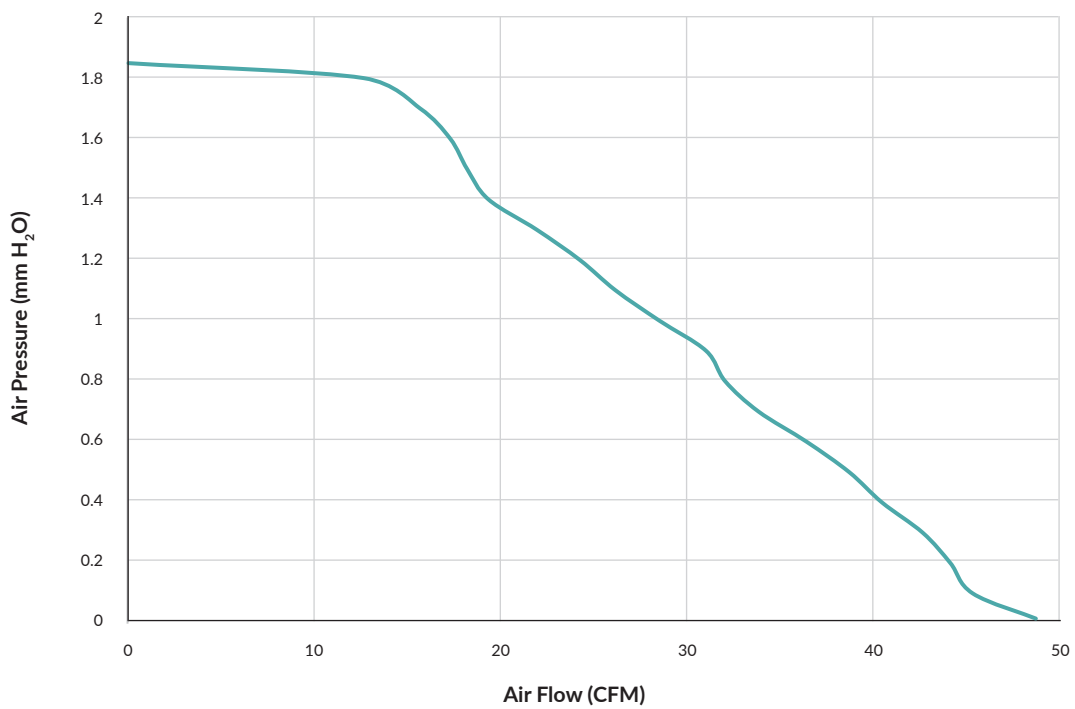
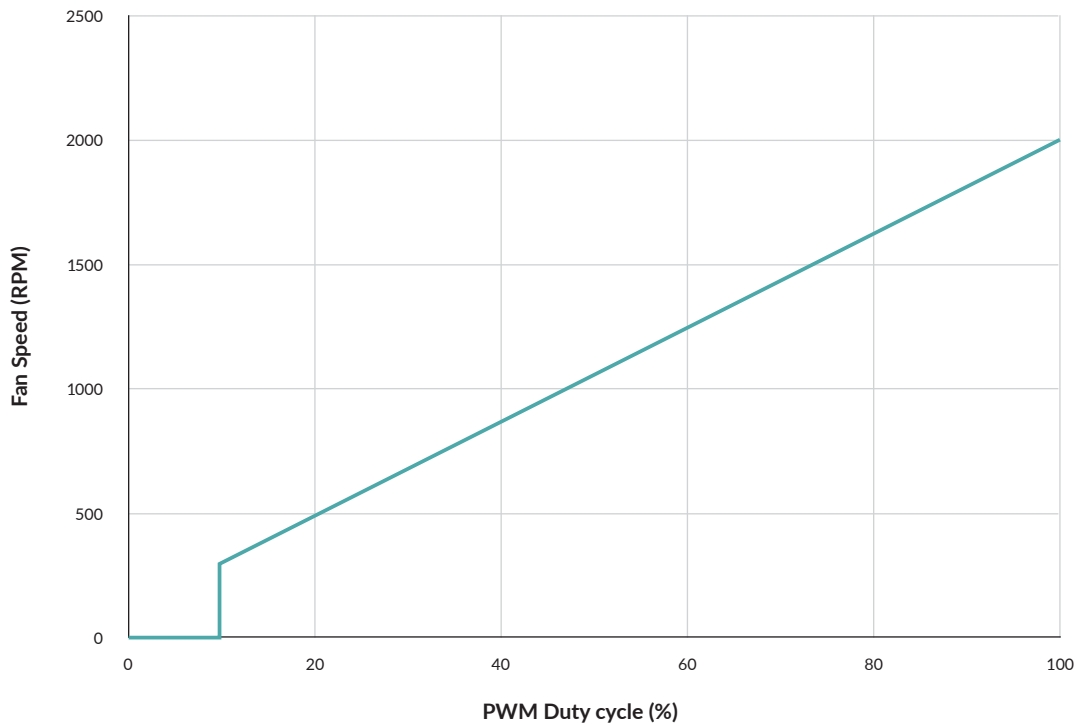
Box Dimensions	127 (L) x 125 (W) x 30 (H) mm
Gross Weight	159 g
SKU	ACFAN00186A
EAN	4895213703147
UPC	840033400947

P12 PWM PST RGB 0dB

BLACK



Semi-Passive 120 mm Case Fan with RGB

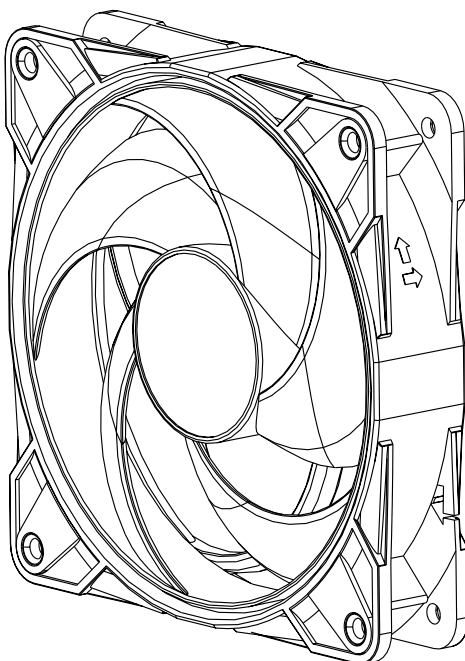


P12 PWM PST RGB 0dB

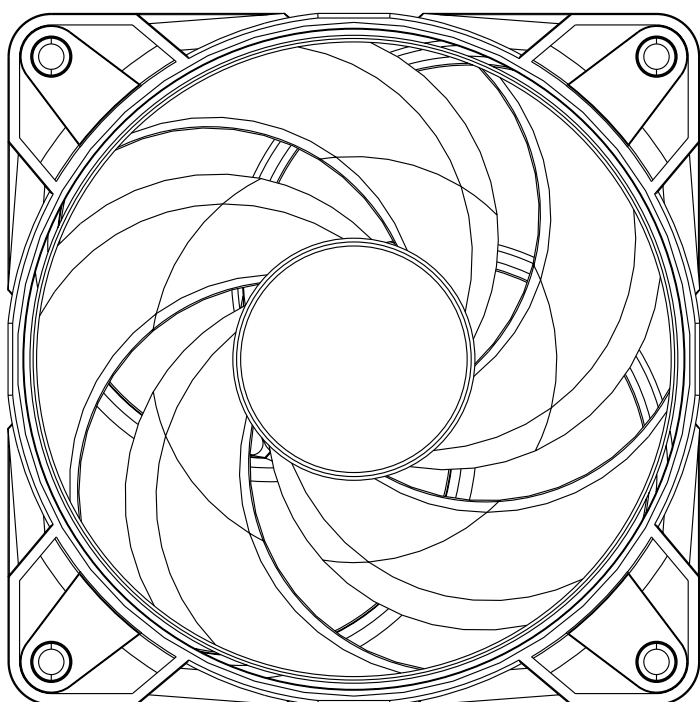
BLACK



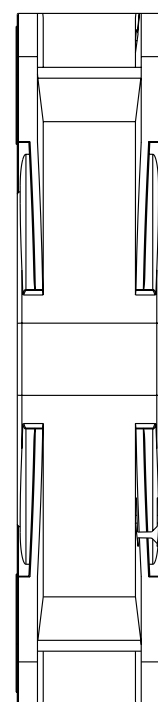
Semi-Passive 120 mm Case Fan with RGB



← 120 mm →



← 25 mm →



120 mm

All materials are compatible with RoHS requirements



Product Information



Manual